



Spare parts list

(11336210) G 2000 MK

2007 10

91392050

www.kaercher.com

EN

CONTENT LIST

1.0 Frame

2.0 Pump set

2.1 Cylinder head

2.2 Piston

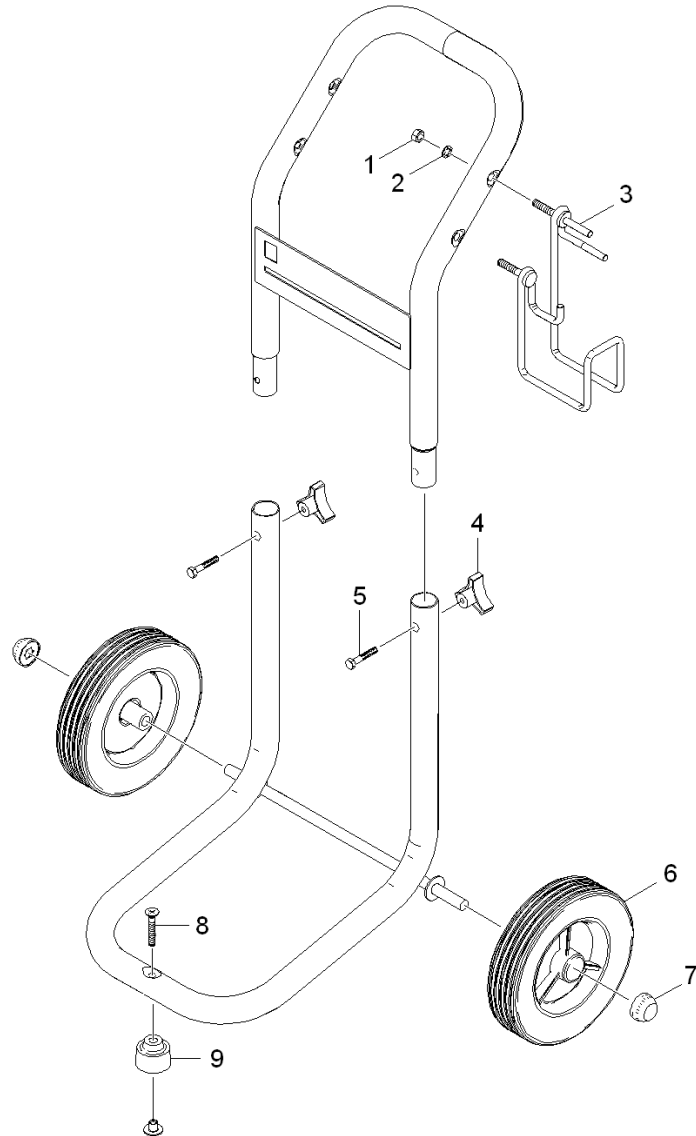
3.0 Motor

3.1 Motor

3.2 Transmission

4.0 Accessories

1.0 Frame



1.0 Frame

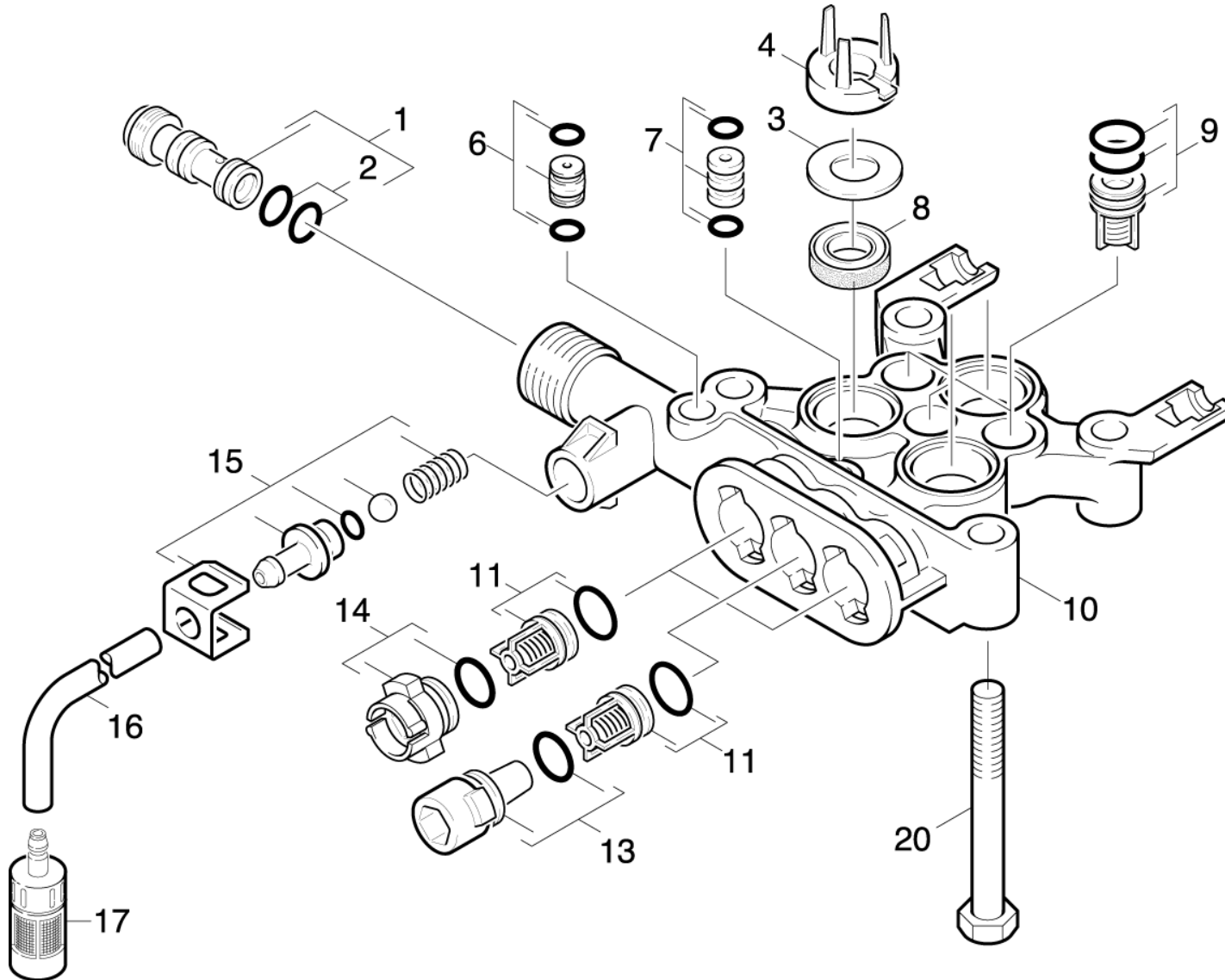
POS	DESCRIPTION	PART NO	QTY.	FROM SER.NR.	UP TO SER. NR.
	ADDITIONAL INFORMATIONS				
1	5/16"-18 FINISHED HEX NUT ZINC	53101050	2		
2	5/16 INTERNAL L/W .332 ID X .620 OD ZINC	91980030	2		
3	HANGER WELD ASSY 45DEG LEFT (SOLO)	91420100	1		
4	KNOB 1/4"-20,3PT. STAR	91823530	2		
5	1/4-20 x 1-1/2 GR 2 HEX BOLT ZINC	91963070	2		
6	WHEEL 8"x 1,75"	91890040	2		
7	1/2" RETAINING CAP	91825050	2		
8	FLAT HEAD M/S 5/16-18X1-3/4"	91960460	1		
9	RUBBER DAMPENER	91834110	1		

2.0 Pump set

2.1 Cylinder head
2.2 Piston



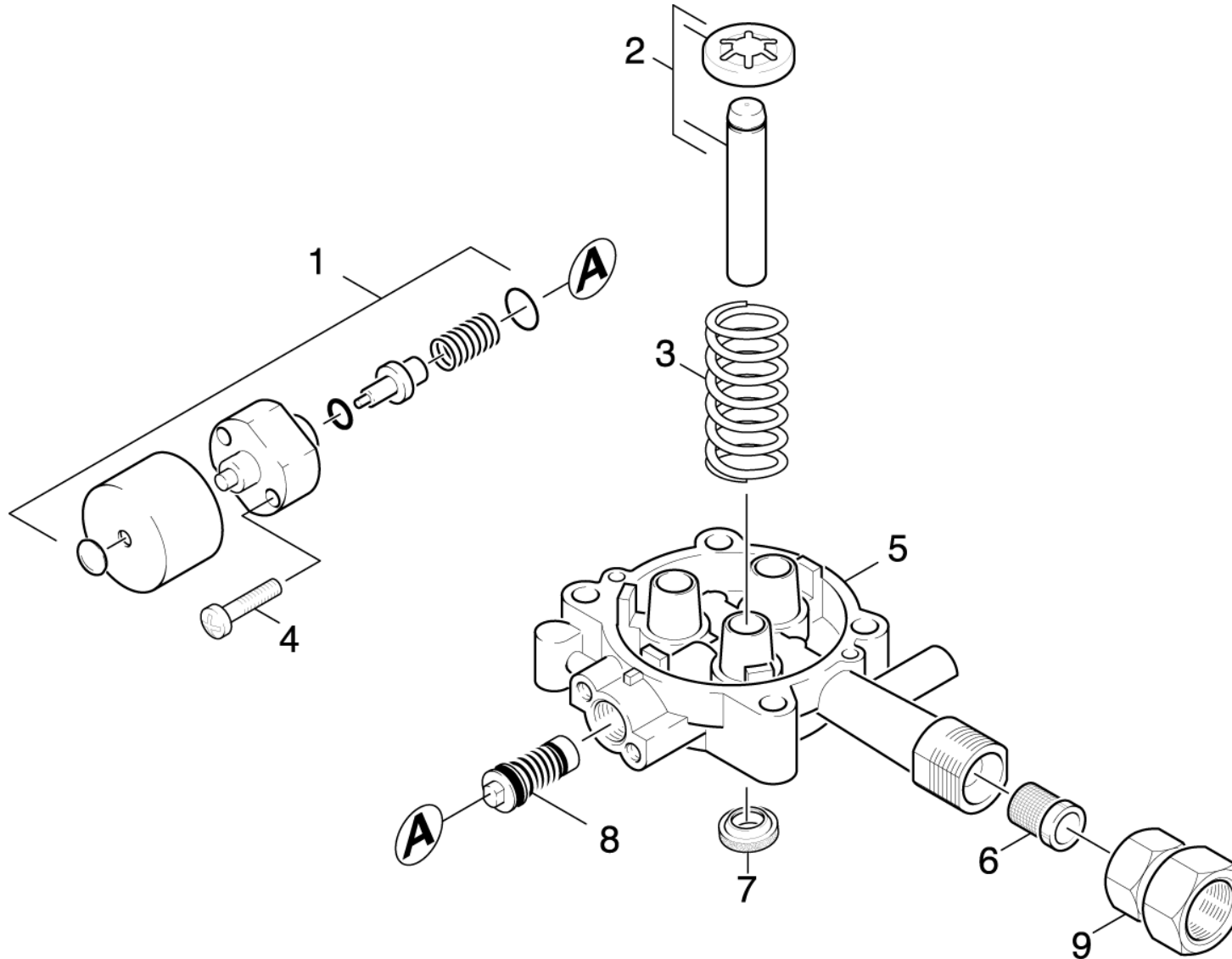
2.1 Cylinder head



2.1 Cylinder head

POS	DESCRIPTION ADDITIONAL INFORMATIONS	PART NO	QTY.	FROM SER.NR.	UP TO SER. NR.
1	Nozzle insert only for replacement	47690340	1		
2	O-Ring seal 9,0 x 1,5	63623840	2		
3	WASHER	51157210	3		
4	WASHER	51159030	3		
6	Throttle complete	40301090	1		
7	JOINING PIECE	40300450	1		
8	GROOVED RING 12X20X5.3/2.8	63653940	3		
9	VALVE	45803300	3		
10	Cylinder head	55502600	1		
11	Valve (3 Stueck)	28848730	3		
13	PLUG KPL	41320110	1		
14	PLUG	41320100	1		
15	Spare part set	28831580	1		
16	Hose DN 5	63882160	1		
	TO ORDER AS CUT GOODS				
17	Filter chemistry regulation	48620320	1		
20	Hexagonal head screw M 8x75-8.8-A2E ISO	73044030	4		
100	Spare part set pump set -777	28842050	1		

2.2 Piston



2.2 Piston

POS	DESCRIPTION ADDITIONAL INFORMATIONS	PART NO	QTY.	FROM SER.NR.	UP TO SER. NR.
1	VALVE 60 GRD	45803600	1		
2	PISTON KPL.	45532150	3		
3	Pressure spring	53323910	3		
4	Screw M6x30 -St-R3R (In6Rd)	73030660	2		
5	PISTON GUIDANCE	50608380	1		
6	FILTER	64142520	1		
7	Oil sealing 12x20x4/6	63653930	3		
8	SPILL VALVE	45910400	1		
9	SWIVEL ADAPTOR G-3/4 W/2-WASHERS	91540090	1		

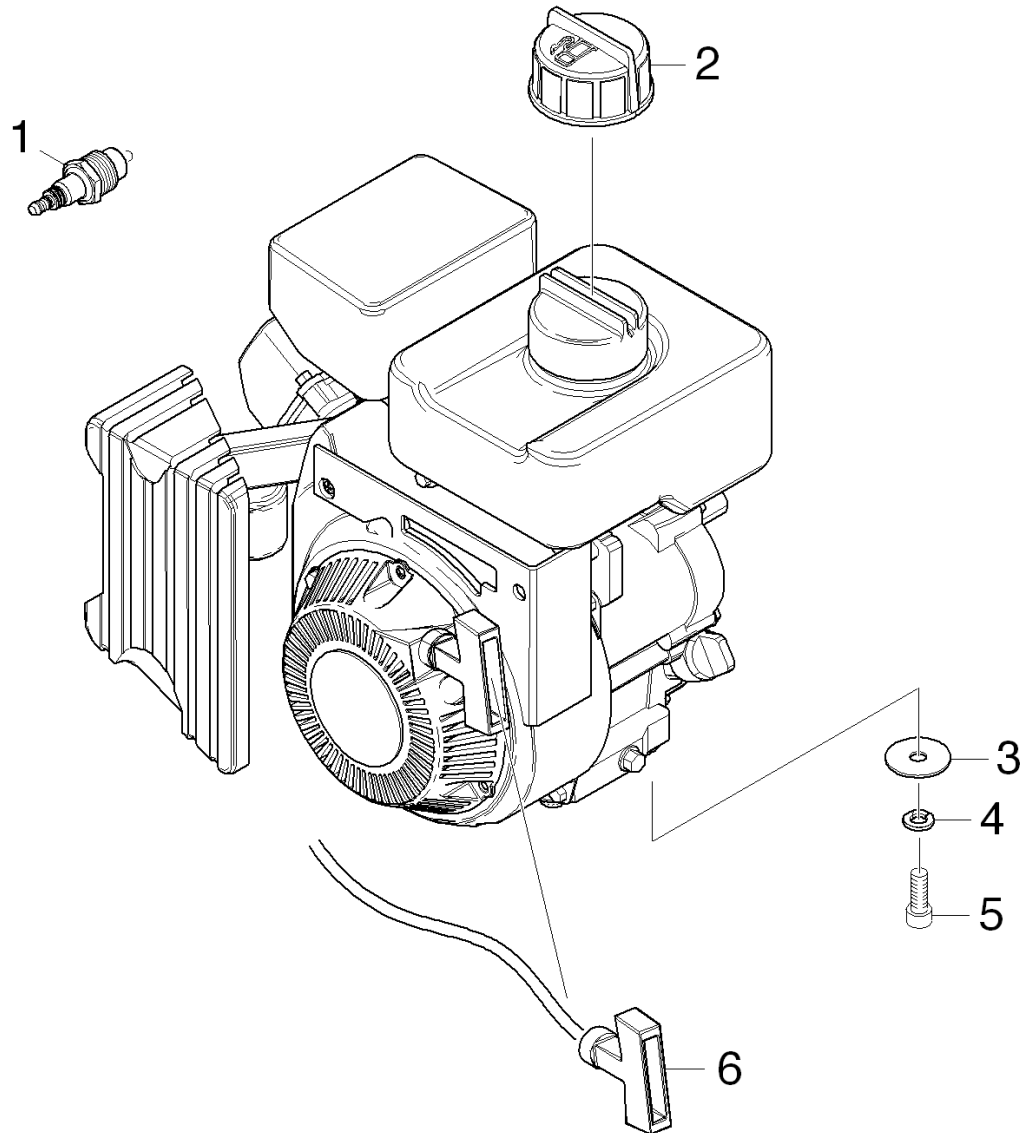
3.0 Motor

3.1 Motor

3.2 Transmission



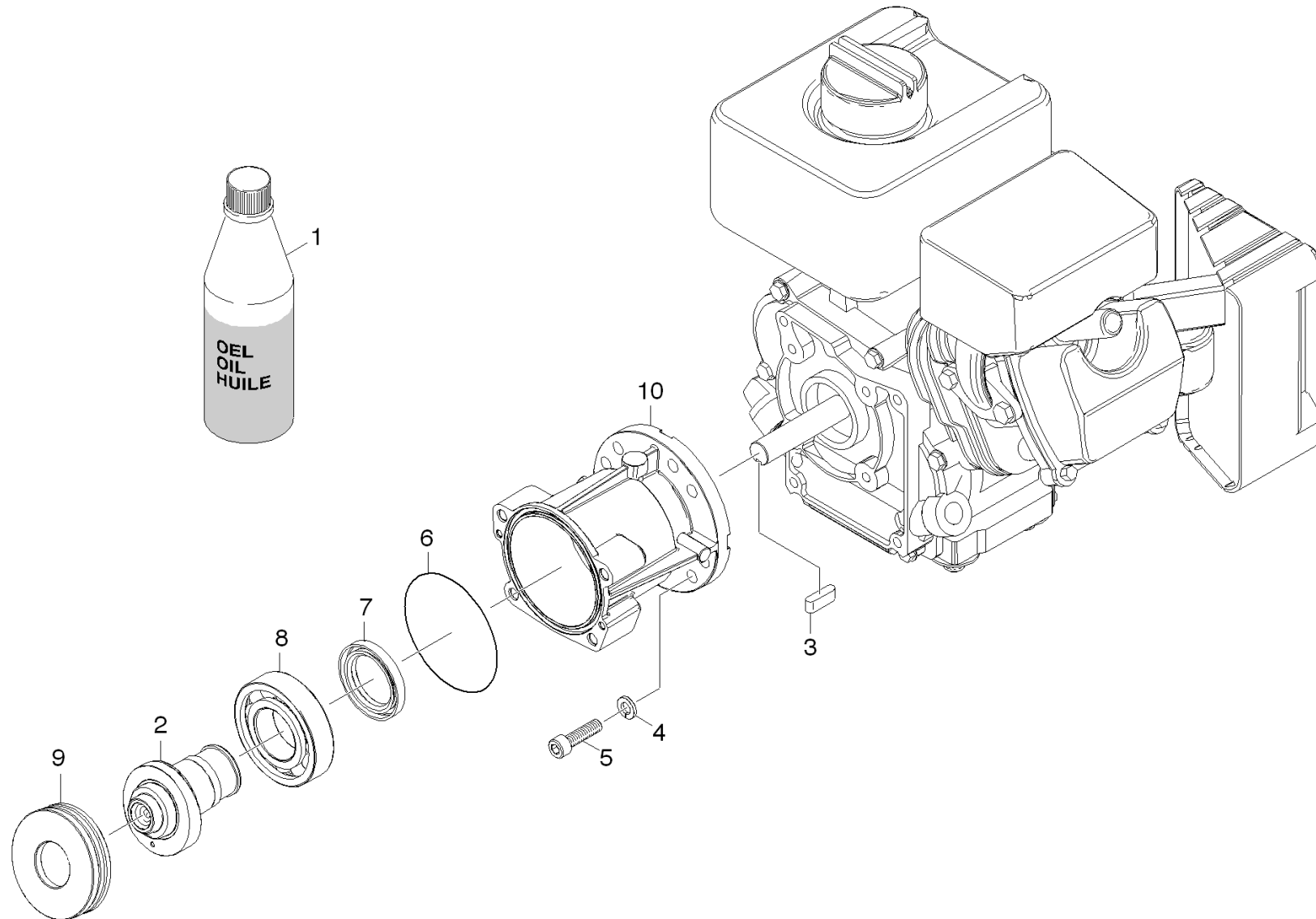
3.1 Motor



3.1 Motor

POS	DESCRIPTION ADDITIONAL INFORMATIONS	PART NO	QTY.	FROM SER.NR.	UP TO SER. NR.
1	Spark Plug-BP6HS (NGK)	91723390	1		
2	Cap, Fuel Tank A154F10.5-00	91723410	1		
3	Washer 21/64 X 1"	91980140	4		
4	Spring washer 8-FST-A3E DIN 7980	73130510	4		
5	Cylinder head screw M8x16 -8.8-A2E ISO4	73060400	4		
6	Recoil starter assy A154F05-07, A154F05-	91723480	1		

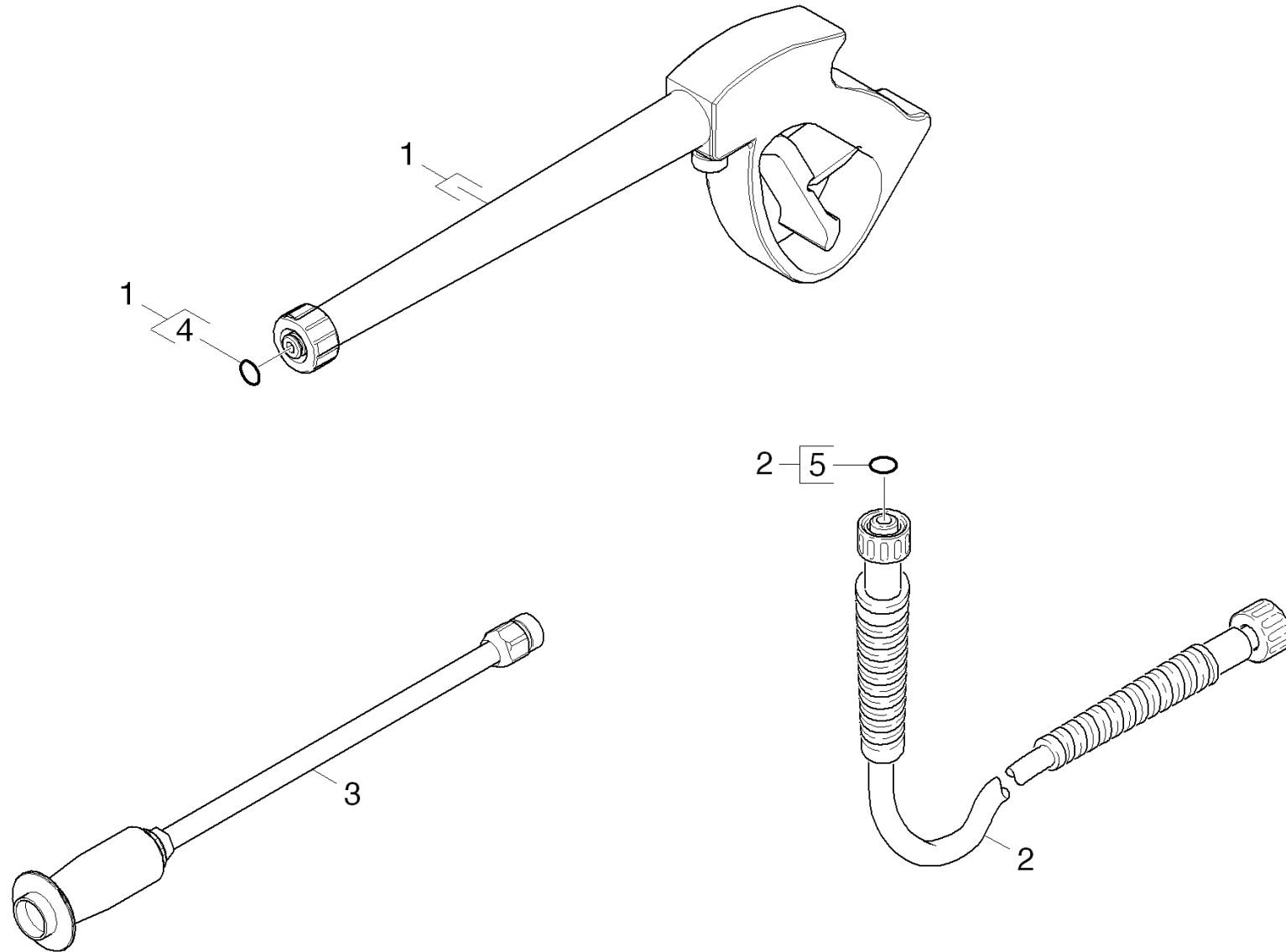
3.2 Transmission



3.2 Transmission

POS	DESCRIPTION ADDITIONAL INFORMATIONS	PART NO	QTY.	FROM SER.NR.	UP TO SER. NR.
1	OIL 1 LITRE	62880500	1		
2	Swash Plate-Machined	91350230	1		
3	SHAFT KEY 3/16"SQx1.5"	91948830	1		
4	5/16" SPLIT LOCK WASHER ZINC	51156560	4		
5	Cylinder head screw M8x25 -8.8-A2E ISO4	73060420	4		
6	O RING 80 X 3	63624710	1		
7	Radial Seal, 35x52x7	91773140	1		
8	BALL BEARING NO. 6207	91653560	1		
9	GROOVED BALL BEARING	91653550	1		
10	Oil Housing Vertical Machined	91350160	1		

4.0 Accessories



4.0 Accessories

POS	DESCRIPTION ADDITIONAL INFORMATIONS	PART NO	QTY.	FROM SER.NR.	UP TO SER. NR.
1	CHINESE BIT101	91120180	1		
2	HP HOSE DN6/25'/2500PSI/BLK/PLST	91623240	1		
3	HI/LO LANCE	91125300	1		
4	GASKET 9,13X 2,62	63627340	1		
5	O-Ring seal 10x2 EPDM 70 DIN 3770	73625010	1		